

4

3

2


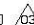
1

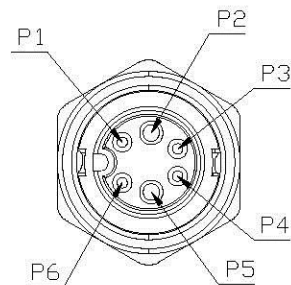
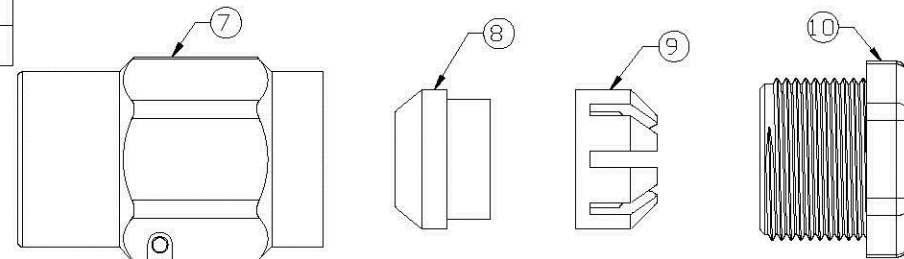
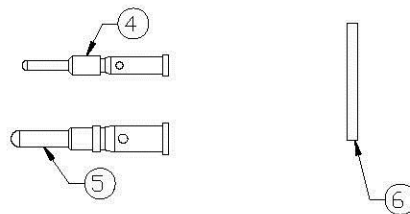
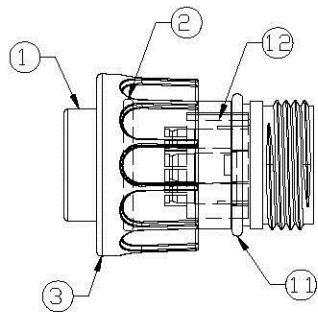
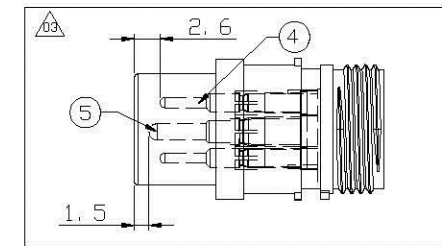
NOTES:

1. ALL PARTS ARE LOOSE PIECE.
2. RoHS COMPLIANCE.
3. SUITABLE CABLE OD= 5.0 mm TO 7.0 mm
4. GLAND NUT TORQUE:
2.5 TO 3.0 Kg-cm TIGHTENING TORQUE.

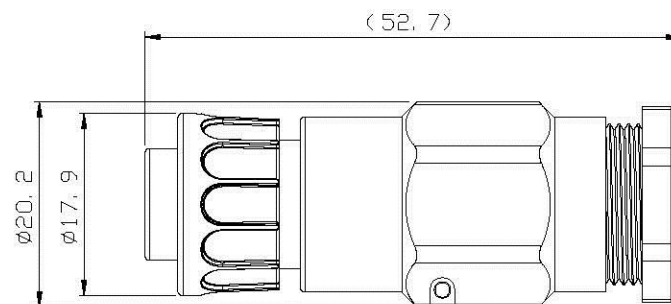
GTC
R&D DEPT. ISSUE
SEP.10.2009
ONLY FOR
RELEASE

ITEM	NAME	Q'TY	DESCRIPTION
1	HOUSING	1	THERMAL PLASTIC UL94 V-0 COLOR: BLACK
2	O RING	1	SILICON UL94 V-0 COLOR: RED
3	CABLE NUT	1	THERMAL PLASTIC UL94 V-0 COLOR: BLACK
4	5A PIN	4	COPPER ALLOY FINISH: GOLD
5	10 PIN	2	COPPER ALLOY FINISH: GOLD
6	GASKET	1	SILICON UL94 V-0 COLOR: BLACK
7	COVER	1	THERMAL PLASTIC UL94 V-0 COLOR: BLACK
8	GLAND	1	SILICON UL94 V-0 COLOR: GREEN
9	CAGE	1	THERMAL PLASTIC UL94 V-0 COLOR: WHITE
10	GLAND NUT	1	THERMAL PLASTIC UL94 V-0 COLOR: BLACK
11	O RING	1	SILICON UL94 V-0 COLOR: RED
12	BASE	1	THERMAL PLASTIC UL94 V-0 COLOR: BLACK

REV	ECNH	DESCRIPTION OF REVISION	
01			102908
02		MARKED 	041609
03	CH-090901	MARKED 	090909



PIN ASSIGNMENT



METRIC

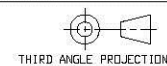
DRAFTER	DATE
KAREN	09/10/09
APPROVED	DATE
RAY	09/10/09

DIMENSIONS ARE IN MILLIMETERS

TOLERANCES

X.X	±0.5
X.XX	±0.20
X.XXX	±0.05
ANGLES	±2°

DO NOT SCALE DRAWINGS



THIRD ANGLE PROJECTION

SIZE

B

Allconnectors

WORLD HEADQUARTERS
Tel: 0049 711 7009003
70794 Pöhlbachstr. - Germany

US HEADQUARTERS
Tel: 0049 711 7009004
Lettmannstr. 25

NOTICE OF PROPRIETARY PROPERTY:

THE INFORMATION CONTAINED HEREIN IS THE PROPRIETARY PROPERTY OF GT CONTACT CO., LTD. THE POSSESSOR AGREES TO THE FOLLOWING:

- (1) TO MAINTAIN THIS DOCUMENT IN CONFIDENCE
- (11) NOT TO REPRODUCE OR COPY IT
- (111) NOT TO REVEAL OR PUBLISH IT IN WHOLE OR PART
- (1V) ALL RIGHTS RESERVED

TITLE

C2 cable male (2+4)P
(10+5)A assembly type

DRAWING NUMBER

GT152274-26060

REV.

03

SCALE

N/A

SHT 1 OF 1

4

3

2